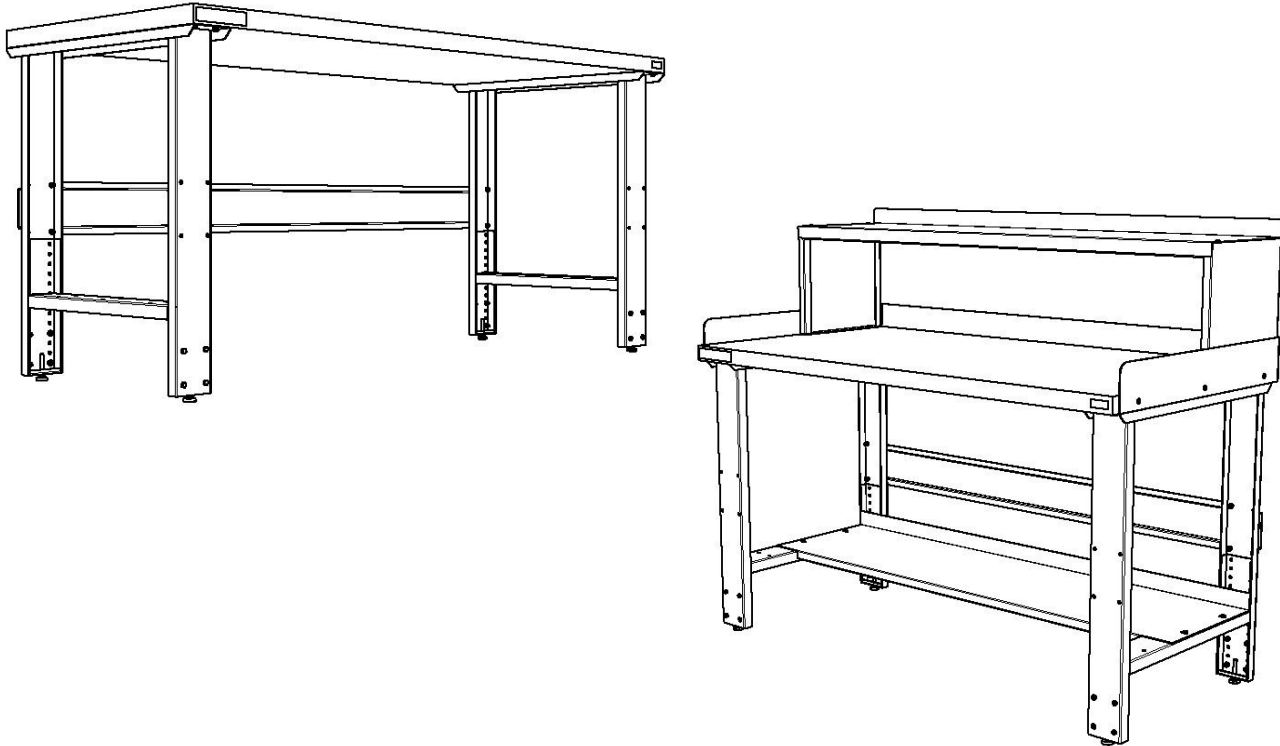


PROPER USAGE AND ASSEMBLY INSTRUCTIONS

WORKBENCH SERIES

The following instructions will provide you with a guide for installation and usage for the Workbench Series. If at any time you need guidance or help, please do not hesitate to call us. Thanks again for choosing Champion Tool Storage.



Read all instructions before proceeding with installation or drawer loading. Vital product information pertaining to proper set-up and cautions are included. Failure to follow these instructions may cause failure which may result in personal injury or property damage.

QUESTIONS

Champion Tool Storage

3070 Lower Mill Dr.

Hood River Oregon 97031

W: www.championbuilt.com

E-mail: info@championbuilt.com

Phone: 866-391-4200

8 AM - 5PM, PST, Monday-Friday

Table Of Contants

Before You Begin	3
Basic Workbench	4
Bottom Shelf	7
Retainer Lip	8
Riser Shelf	9
Workbench with Drawer Cabinet	10
Bench Uprights	13
Bin Rails	14
Light Frame / Light Fixture	15
Monitor Holder, With Keyboard, Dual Tilt, Vertical Mount	16
Caster Instllation for Mobile Units	17
Warranty	18

Before You Begin

1. Check your inventory to be sure you received your entire order; refer to the Parts List on the following pages. If there are any missing or damaged parts, contact Champion Customer Service at 541-386-7700
2. Only use the provided hardware during assembly.
3. Read and understand the entire installation instructions prior to beginning the install.

Tools Required



Cordless Drill



1/4" Hex Driver



Philips Screwdriver



Box Wrench 7/16, 9/16



5/32" Drill Bit

Basic Workbench Hardware Supplied

A



1000232
Screw 1/4 - 20 x 5/8
Qty. 8

B



1000326
Washer 1/4
Qty. 8

C



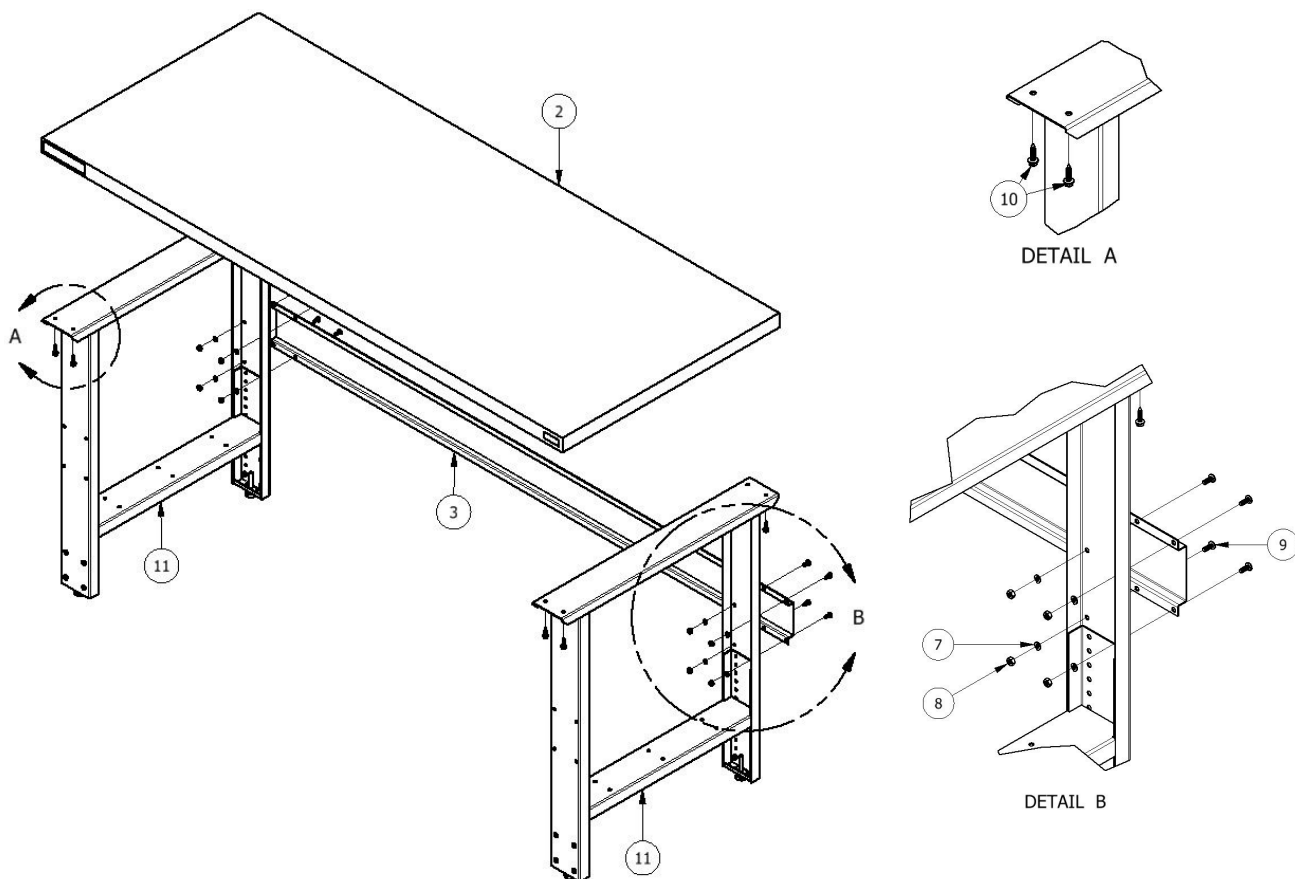
1000325
Nut 1/4 - 20
Qty. 8

D



1000327
Screw #14 x 1
Qty. 8

Basic Workbench Parts List

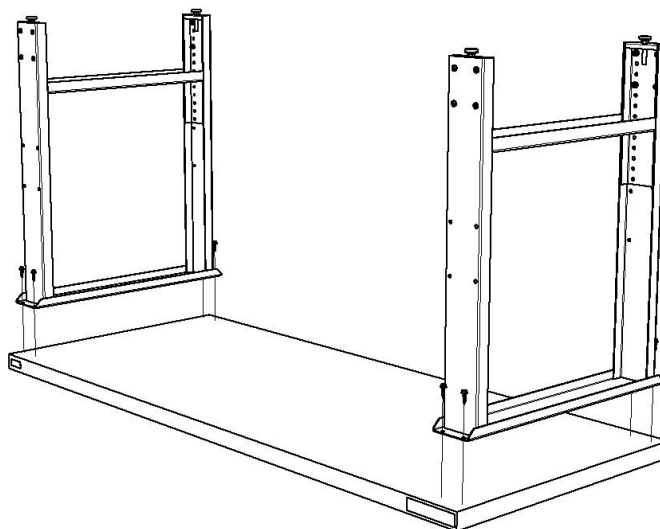


PARTS LIST			
ITEM	QTY	PART NUMBER	DESCRIPTION
2	1	50000XX	BUTCHER BLOCK TOP, 30 X LENGTH X 1.75
3	1	400XXXX	WORKBENCH, SUPPORT, 30 X LENGTH
7	8	1000326	Washer,ZPSTL, Steel,Split Lock, .25 IN
8	8	1000325	Nut, 0.25—20 Steel
9	8	1000232	Screw, Machine, PNHD, ZN-STL, 0.25—20 X .625 IN LG
10	8	1000327	Screw, Self Tapping, Hex, ZPLT-STL .242 DIA (#14) X 1 IN LG.ipt
11	2	8000853	ASSEMBLY, MASTER, WORKBENCH, LEG , 35-42IN

Assembly of Basic Workbench

1 Attach Legs to Wood Top

1. Place the wood top on the ground upside down. Use the packing foam to protect the surface when on the ground.
2. Place the legs on the wood top as shown and align the edge of the leg flush to the wood top. Center the holes with the holes in the wood top.
3. Install D 000327 (Screw #14 x 1) using a cordless drill and a 1/4" driver. DO NOT OVERTIGHTEN.



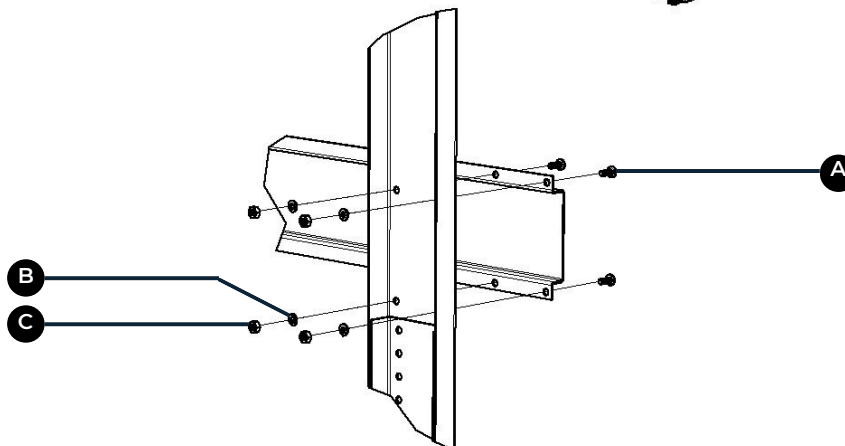
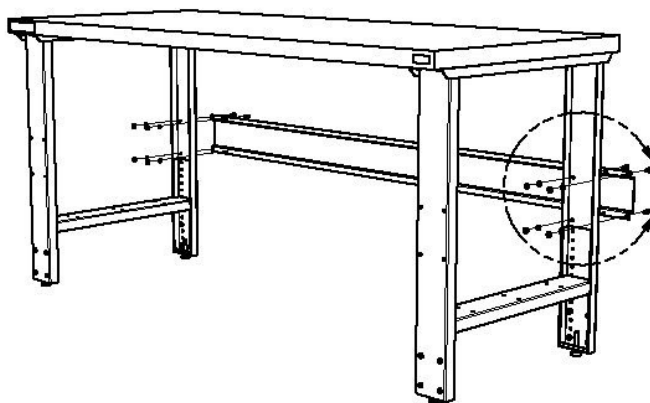
2 Attach Workbench Support to Legs

1. Align the Workbench Support with the holes on the legs.
2. Install the following and tighten.

1000232 - Screw 1/4 - 20 x 5/8

1000326 - Washer 1/4

1000325 - Nut 1/4 - 20

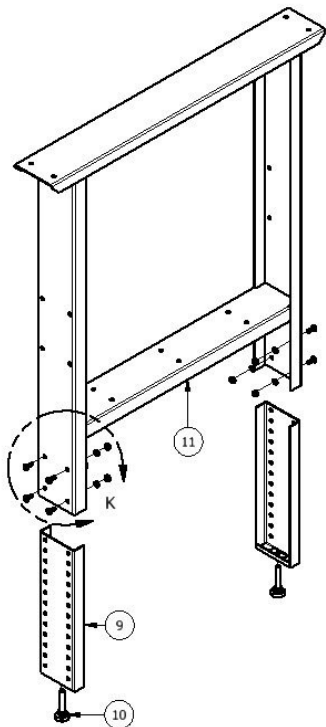


DETAIL A

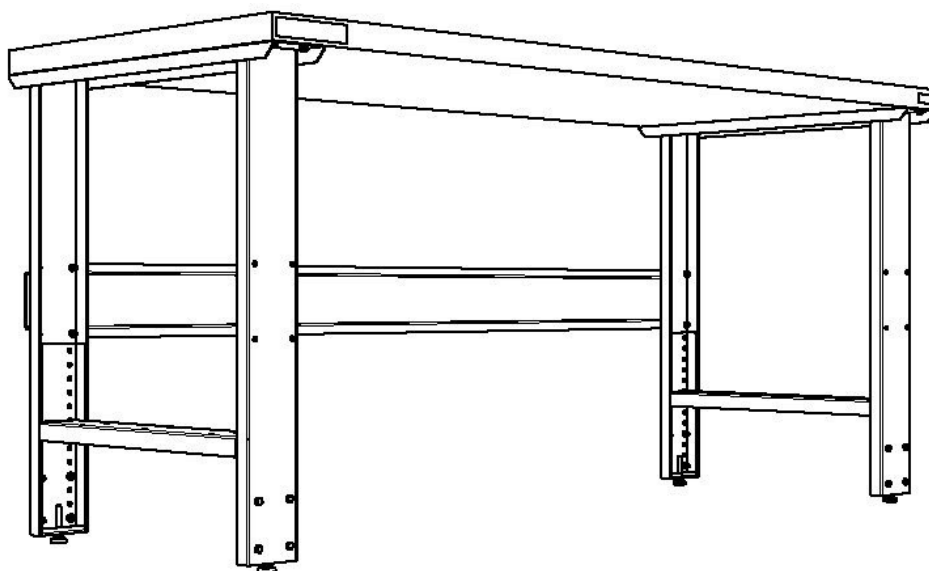
Assembly of Basic Workbench

Final Assembly

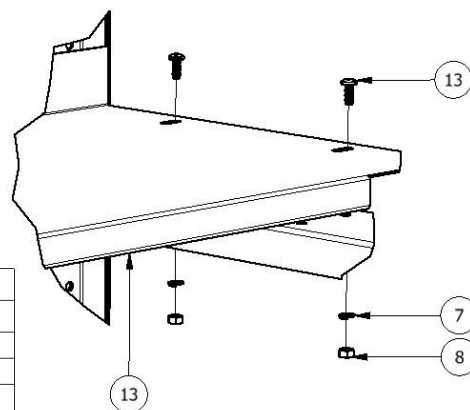
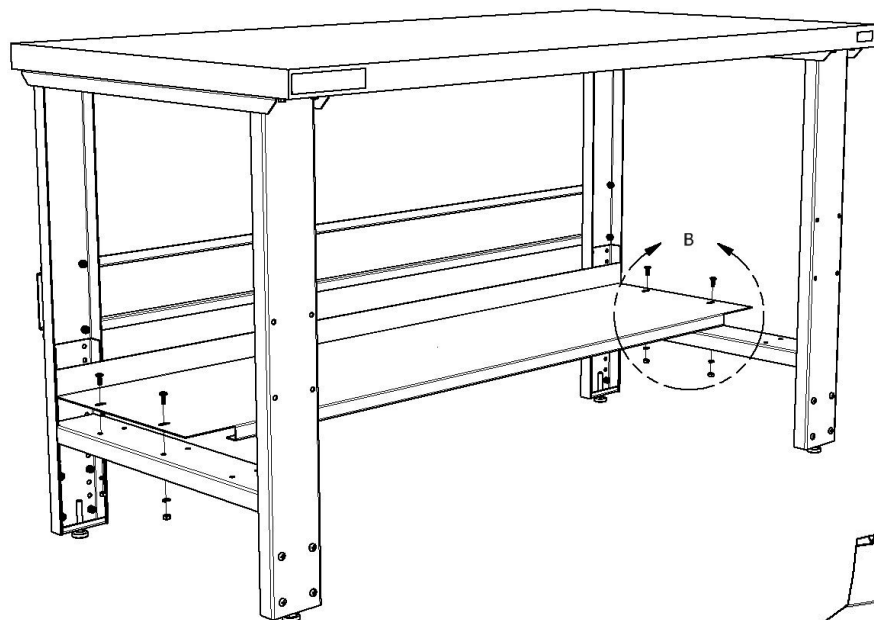
1. Ensure all fasteners are properly tightened.
2. Rotate the Workbench to upright position. Requires (2) people. Do not attempt to tip bench on its side with a single person, as it is unstable in this position and may cause harm to you or damage to workbench integrity.
3. Move Workbench to final location. Requires (2) people.
4. Adjust leg levelers and legs to desired height. To adjust leg height, see illustration below.
5. This completes the assembly of the Basic Workbench.



PARTS LIST			
ITEM	QTY	PART NUMBER	DESCRIPTION
6	8	1000326	Washer,ZPSTL, Steel,Split Lock, .25 IN
7	8	1000325	Nut, 0.25—20 Steel
8	8	1000232	Screw, Machine, PNHD, ZN-STL, 0.25—20 X .625 IN LG
9	2	6001194	ASSEMBLY, WELDMENT, WORKBENCH, TABLE LEG, FOOT, 35-42IN
10	2	1000589	Leveling Glide, .375—16 X 1.5 IN LG, Nylon Foot
11	1	6001195	ASSEMBLY, WELDMENT, WORKBENCH, LEG, 35-42IN.iam



Bottom Shelf Parts List



DETAIL B

PARTS LIST			
ITEM	QTY	PART NUMBER	DESCRIPTION
7	4	1000326	Washer,ZPSTL, Steel,Split Lock, .25 IN
8	4	1000325	Nut, 0.25—20 Steel
9	4	1000232	Screw, Machine, PNHD, ZN-STL, 0.25—20 X .625 IN LG
13	1	7001277	ASSEMBLY, BOTTOM SHELF, WORKBENCH, LENGTH X 30

Assembly of Bottom Shelf

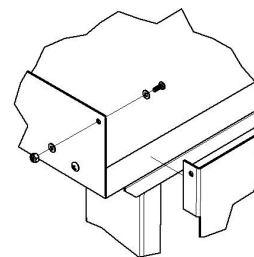
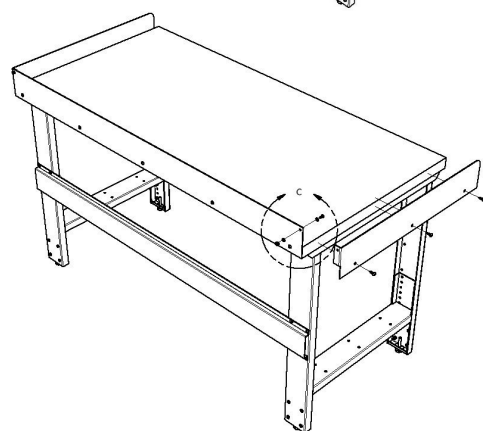
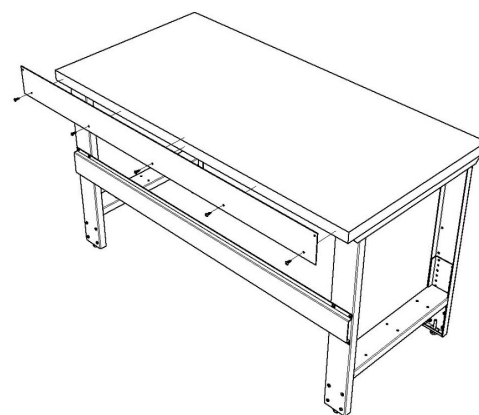
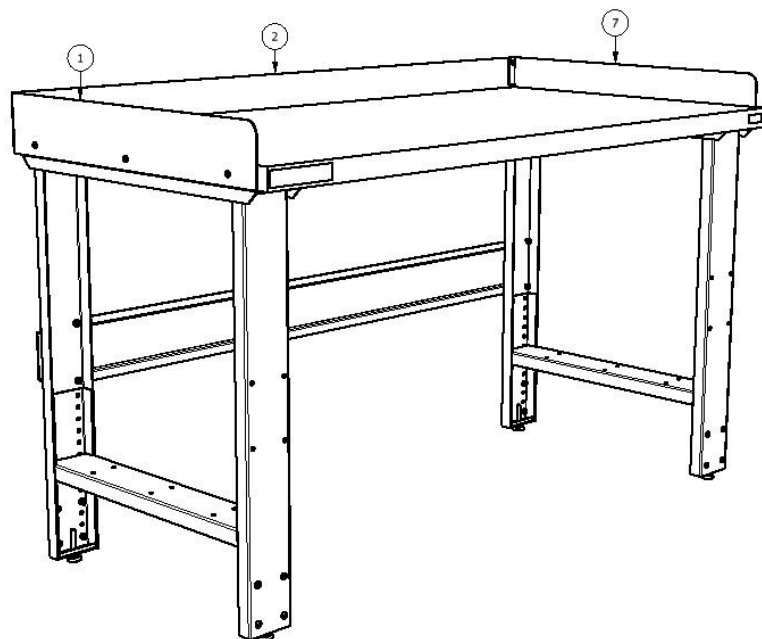
1. Position Bottom Shelf over left and right Leg Assemblies. Note, Large single return is placed at the rear of the unit.
2. Align holes in Bottom Shelf to holes in Leg Assemblies.
3. Install the following and tighten.
4. This completes the assembly of the Bottom Shelf.

10 ● 232 - Screw 1/4 - 20 x 5/8

10 ● 326 - Washer 1/4

10 ● 325 - Nut 1/4 - 20

Retainer Lip Parts List



DETAIL C

PARTS LIST				
ITEM	QTY	PART NUMBER	DESCRIPTION	
6	2	1000159	Nut, Locking, Nylon-Insert, ZPLT-STL, #10-24	
5	4	1000456	WASHER, FLAT, SS, NO 10, .438 OD, .032 THK	
4	2	1000514	Screw, Machine, PNHD, ZN-STL, #10-24 X .5 IN	
3	11	1000615	Screw, Self Tapping, Pan Head, ZPLT-STL .242 IN DIA (#14) X.75 IN LG	
2	1	3000XXX	WORKBENCH RETAINER LIP BACK PLATE, (XXX)LENGTH X 30	
1	1	4004290	WORKBENCH RETAINER LIP END PLATE LH	
7	1	4004291	WORKBENCH RETAINER LIP END PLATE RH	

Assembly of Retainer Lip

1. Position ITEM 2 flush to bottom edge of the top and flush to each end. Mark the holes on the wood top and drill 3/4" deep with 5/32" drill bit. Install Item 2 using the supplied screws (ITEM 3). Do not overtighten.
2. Position Item 1 flush to bottom edge of the top and with the return lip sitting inside of ITEM 2. Mark the holes on the wood top and drill 3/4" deep with 5/32" drill bit. Install ITEM 1 using the supplied screws (ITEM 3). Do not overtighten.
3. Repeat Step 2 for opposite End Plate (ITEM 7).
4. Fasten the Back Plate to the End Plates as shown in Detail C Using the supplied fasteners, ITEM 6, ITEM 5, ITEM 4
5. This completes the assembly of the Retainer Lip.

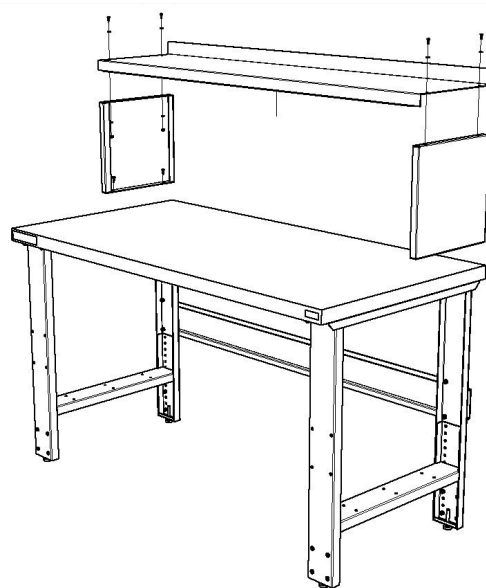
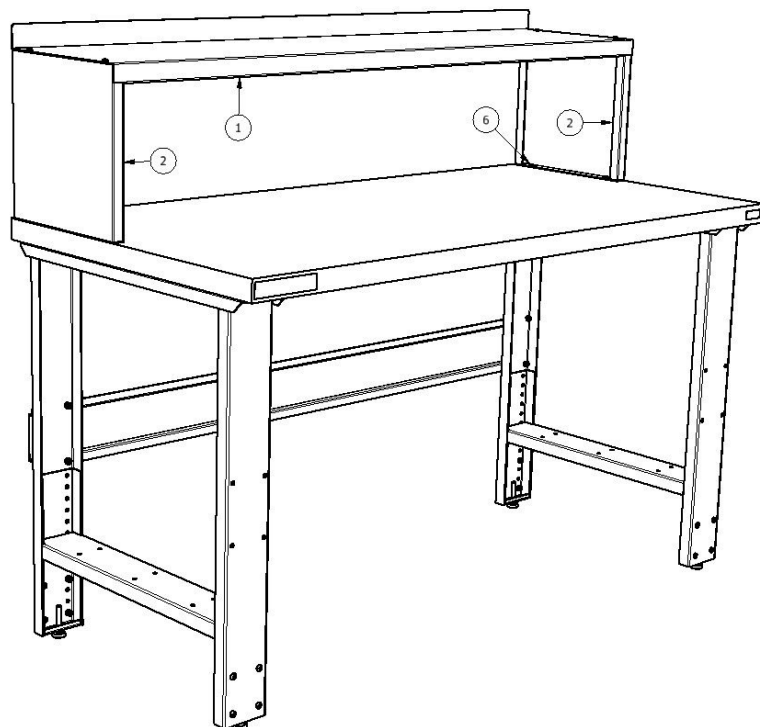
1000615 - Screw, #14 X 3/4

1000514 - Screw, #10-24 x 1/2"

1000456 - Washer, #10

1000159 - Nut, Locking, #10-24

Riser Shelf Parts List



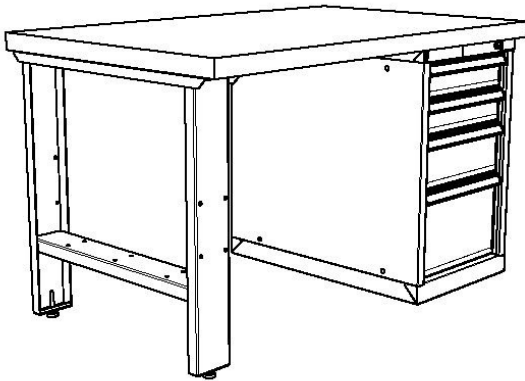
PARTS LIST			
ITEM	QTY	PART NUMBER	DESCRIPTION
1	1	4004XXX	WORKBENCH, RISER SHELF, LENGTH X 30
2	2	4004869	WORKBENCH, RISER SHELF, END PANEL
3	4	1000514	Screw, Machine, PNHD, ZN-STL, #10-24 X .5 IN
4	8	1000456	WASHER, FLAT, SS, NO 10, .438 OD, .032 THK
5	4	1000159	Nut, Locking, Nylon-Insert, ZPLT-STL, #10-24
6	4	1000615	Screw, Self Tapping, Pan Head, ZPLT-STL .242 IN DIA (#14) X.75 IN LG

Assembly of Riser Shelf

1. Position ITEM 2 flush to back edge of the top and flush to the edge of the end. Mark the holes on the wood top and drill 3/4" deep with 5/32" drill bit. Install Item 2 using the supplied screws (ITEM 6). Do not overtighten.
2. Set ITEM 1 on top of ITEM 2, align holes. Fasten panels together using ITEM 3, ITEM 4, and ITEM 5.
3. This completes the assembly of the Riser Shelf.

- 3 1000514 - Screw, #10-24 x 1/2"
- 4 1000456 - Washer, #10
- 3 1000159 - Nut, Locking, #10-24
- 3 1000615 - Screw, #14 X 3/4

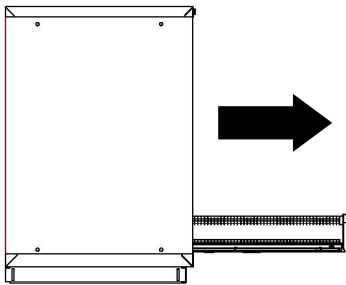
Workbench with Drawer Cabinet Assembly Instructions



1 Attach Leg Kit to Wood Top

1. See Page 5, Step 1

2 Prepare Drawer Cabinet for Attachment to Wood Top



Remove drawers as need for access to secure the cabinet to the top. Note, unit must be in the unlocked position. To remove drawer, extend drawer to full extension. Pull gray lock out on middle slide member, see Fig. 2. Pull drawer out and lift over drawer slide stop as needed to remove. To remove more than one drawer, reach in and push the lock pawl in on the locking mechanism. This may require us of a rod to reach the unit, See Fig. 3 and Fig. 4. To install drawer, reverse removal step. Note when installing drawers, there is no need to reset the locking mechanism or alter the position of the pawls.

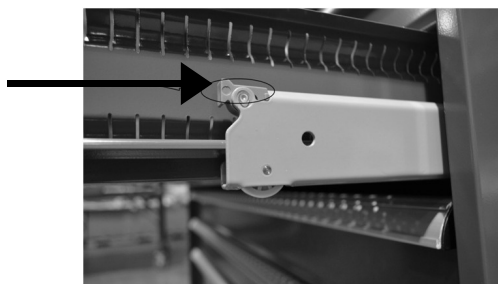


Fig. 2

Locking mechanism

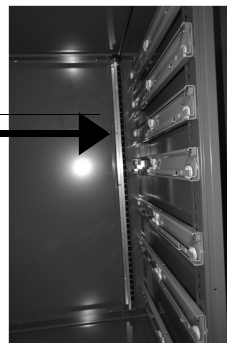


Fig. 3

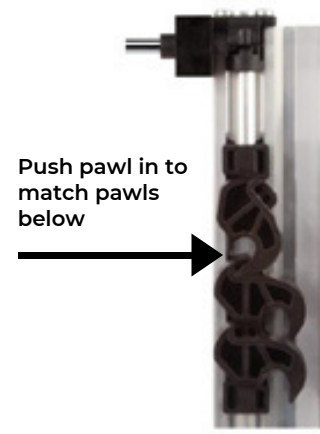


Fig. 4

Workbench with Drawer Cabinet Assembly Instructions

Remove knockouts on top of cabinet.

Remove drawers, see step 2. Punch out the (4) knockouts on the top at the outer most corners of the cabinet using a punch and hammer(See Fig. 1). Use a measuring tape and measure the hole pattern from the knockouts. Mark the underside of the wood top to match the cabinet on the opposite side of the leg. Drill a 5/32" hole 1" deep into the wood top.

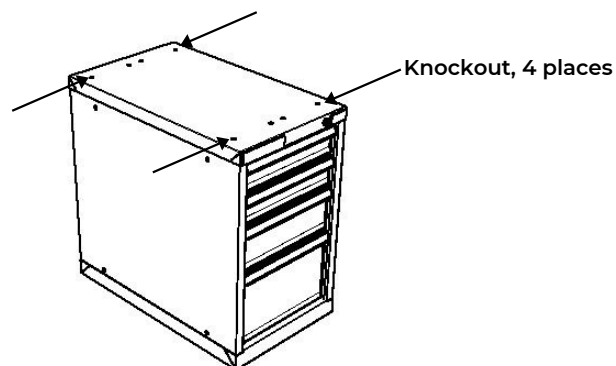


Fig. 1



1000327
Screw #14 x 1
Qty. 4

Install Item D(x4) from the inside of the cabinet up into the wood top using the holes that were drilled in the previous step. Use a cordless drill and a 1/4" driver. **DO NOT OVERTIGHTEN.**

Install the drawers that were removed for the top installation.

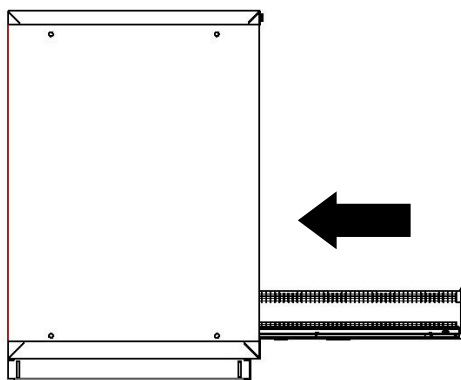
How to Load

STEP 1.

- Start by loading the bottom drawer first.
- Load the drawer from the back to the front of the drawer.

STEP 2.

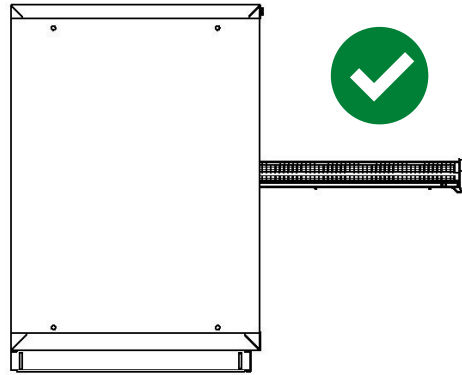
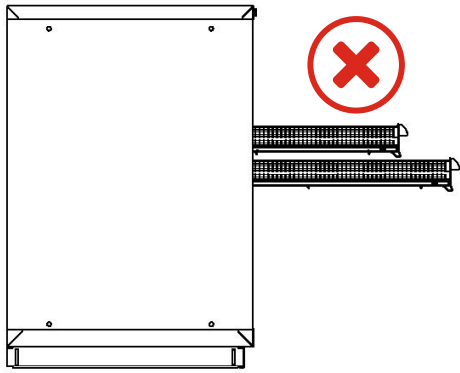
- Load the second lowest drawer in the same manner as the first.
- Repeat until drawers are filled.



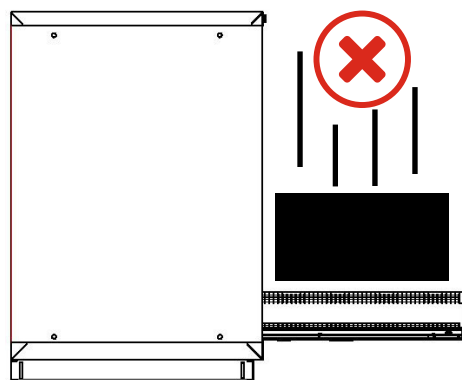
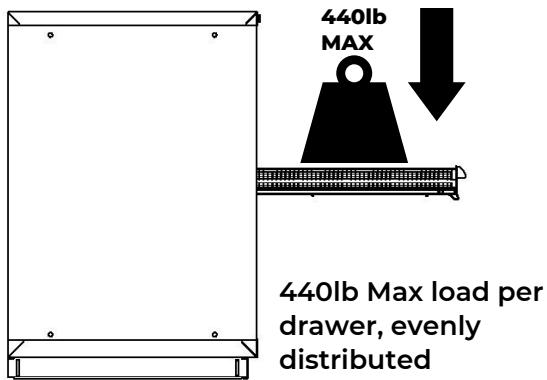
Proper Care

- Periodically clean the drawer fronts, drawer trim, and other surfaces with a mild detergent and water.
- Auto wax preserves the storage unit's finish and protects against scratches. Apply the wax as you would on a car.

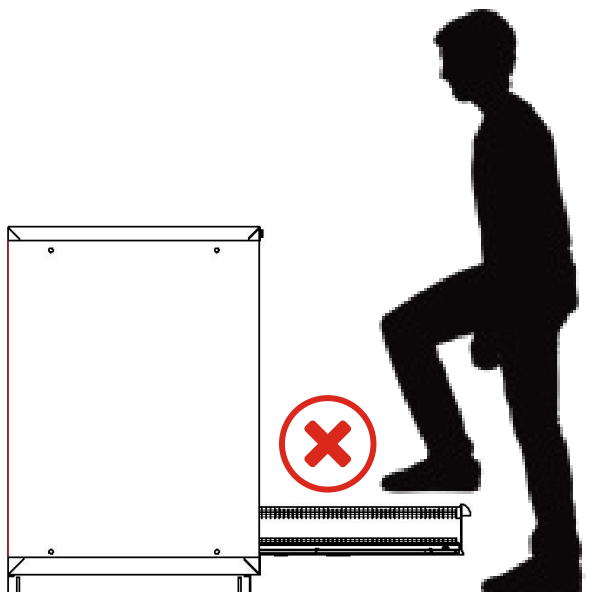
Proper Use



Do not try to open more than one drawer at a time. Your cabinet includes an anti tip locking device that only allows one drawer to open at a time. Forcing more than one drawer at a time may result in damage.



Do not drop items into drawers, damage may occur.



Do not use drawers as a step, or seat, injury or damage may occur.

Bench Uprights Parts List



BP-UPB48 - Uprights, 48", power plug, for 1.75" butcher block top.



Fig. 1



Fig. 2

Assembly of Uprights

1. Set Upright on bench top with the bracket tight up against the wood top and flush to the end. See Fig. 1
2. Using the 1/4" screws, install the screws until tight against wood top. If you have Bin Rails, you can check the spacing of the uprights by installing (1) Bin Rail.
3. Using a 5/32" drill, drill a hole 3/4" deep into the top using the (2) holes on the bracket on the top surface of the wood top.
4. Install **1000327**(Screw #14 x 1) using a cordless drill and a 1/4" driver. **DO NOT OVERTIGHTEN.**
5. Repeat process for remaining upright.
6. This completes the assembly of the Uprights.

Bin Rail Parts List



BP-B48 - Bin Rail, 48"



BP-UPB48 - Upright Post

Fig. 1

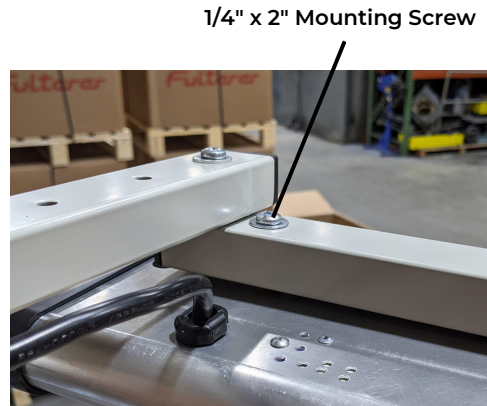
Assembly of Bin Rails

1. Install the Bin Rail into the Upright post by choosing the inner most slots on the Upright Post. See Fig. 1
2. Push the Bin Rail into the slot, then gently tap the Bin Rail in a downward position until it stops.
3. Note, no hardware is needed.
4. This completes the assembly of the Bin Rails.

Light Frame / Light Parts List



BP-LF48 - Light Frame, 90°, 48"



1/4" x 2" Mounting Screw

Fig. 4



Fig. 1



Fig. 2



Fig. 3

Assembly of the Light Frame and Light Fixture

1. Unfold the Light Frame Assembly until it is a U-Shape.
2. Slide over the uprights until the frame is flush with the Upright Post, See Fig. 1.
3. Tighten the knob on the back of the light frame, See Fig. 2. Note, the male plug will need to be installed in the upright with the female outlet at the top, see Fig. 1 and Fig. 2.
4. Using the 1/4" x 2" screw that is provided with the light, attach the light fixture to the Light Frame crossmember. There are 2 holes in the cross member of the light fixture to attach the light to.
5. Clip the powder cord into the plastic clips.
6. This completes the assembly of the Light Frame and Light Fixture.

Monitor Holder With Keyboard Tray Parts List



BP-MHLK - Monitor Holder, With Keyboard, Dual Tilt, Vertical Mount



Knob

BP-UPB48 - Upright Post

Fig. 1

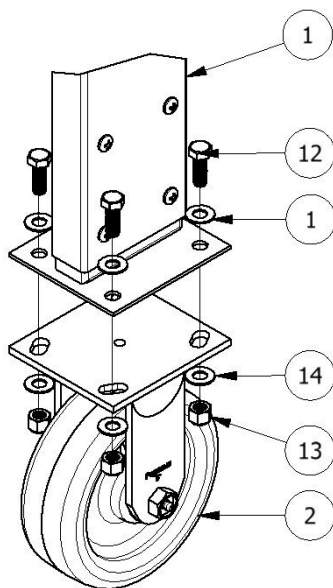
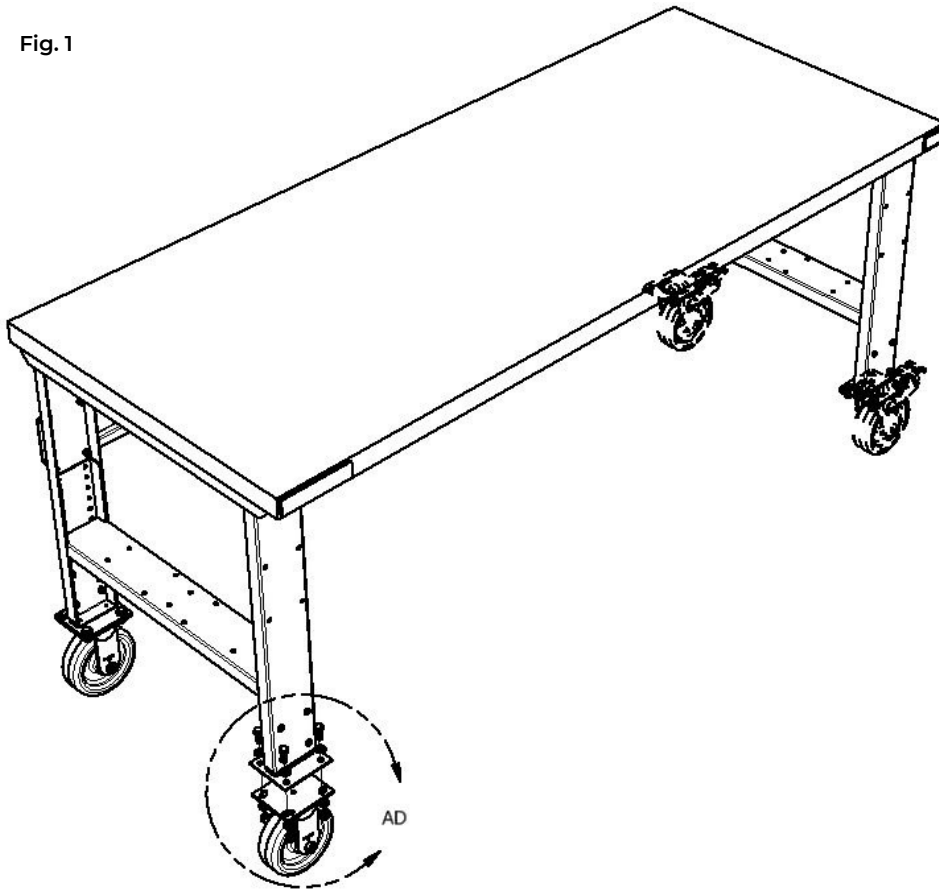
Assembly of the Monitor Holder With Keyboard Tray

1. Slide over the uprights until the unit is in the desired position, See Fig. 1.
2. Tighten the knob on the back of the unit, See Fig. 1.
3. Adjust the tension of the fasteners as needed to hold the Monitor and Tray in the desired position.
4. This completes the assembly of the Monitor Holder With Keyboard Tray.

Caster Installation for Mobile Units

1. After the legs have been installed to the underside of the top, install the casters.
2. One leg kit will have the rigid casters installed and the opposite end will use the swivel casters, see Fig. 1.
3. This completes the assembly of the casters.

Fig. 1

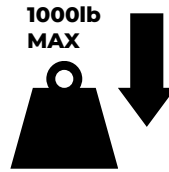
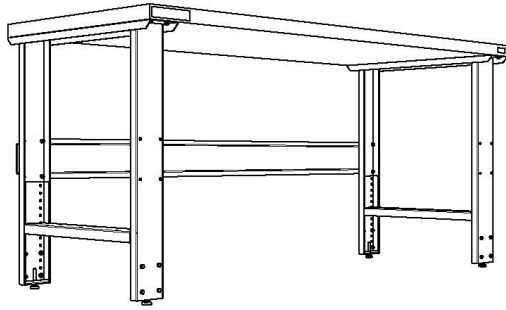


DETAIL AD

PARTS LIST

ITEM	QTY	PART NUMBER	DESCRIPTION
1	2	8001067	ASSEMBLY, MASTER, WORKBENCH, LEG, MOBILE, 35-42IN
2	2	2000223	Caster, 6 x 2, Rigid, Steel, Phenolic
3	2	2000224	Caster, 6 x 2, Swivel, Braked, Steel, Phenolic
12	16	1000137	Cap Screw, Hex Head, Zplt Stl, .375-16 X 1IN LG
13	16	1000138	Nut, Locking, Nylon-Insert, ZPLT STL, 0.375-16
14	32	1000139	Washer, .375 (SAE), Zplt-Stl X .065 THK

Proper Use



1000lb Max load
evenly distributed



Do not use workbench as a step, or seat, injury or damage may occur.

Proper Care

- Periodically clean the frame and other surfaces with a mild detergent and water.

Safety Information

- Do not tow the product with power equipment.
- Do not alter this product in any manner. Doing so will void the warranty. Do not open more than one drawer at a time if drawers are included.



Do not attach or mount this product to a vehicle. This may cause personal injury or product damage. Mounting this product to a vehicle in any manner will void the warranty.



Do not stand or sit on this product. Doing so may cause personal injury.



Do not use drawers as steps or sit in drawer on this product. Doing so may cause personal injury.



This product must be on a level surface at all times. If stored or moved on an unlevel surface, personal injury or product damage may occur. If product is moved, lock all drawer before moving.

Warranty

Champion Tool Storage warrants only to the original purchaser that our Tool Storage products are free from defects in materials and workmanship for so long as the original purchaser retains ownership, possession and control of the product. Our Warranty only applies to Champion Tool Storage manufactured Professional Series, Modular Series, Flight line Series, and Military. Our warranty excludes damage caused by misuse, abuse, modifications to the unit, or the user not conforming to the recommended capacities as stated on our website or catalog. All hardware including drawer slides, hinges, and locks are warranted for one year from delivery date of the original invoice. If buyer claims that a product violates such warranty, Champion, upon notice promptly given, will either issue an RMA and shipping instructions for return to Champion at buyer's expense or provide transportation charges prepaid. Champion's sole obligation under its warranty shall be, at its option, to repair, replace or refund the price of any product thereof which is proved to violate such warranty. In no event shall Champion be liable to the buyer for special, indirect, incidental or consequential damages whatsoever including, without limitation, loss of profit or revenue. Title and risk of loss have passed to the original purchaser upon deliver to a common carrier. If any product is damaged in transit, the original purchaser must file a claim with the carrier, which claim is not a warranty claim. If you have any questions regarding your warranty please contact our sales department at 1-866-391-4200.